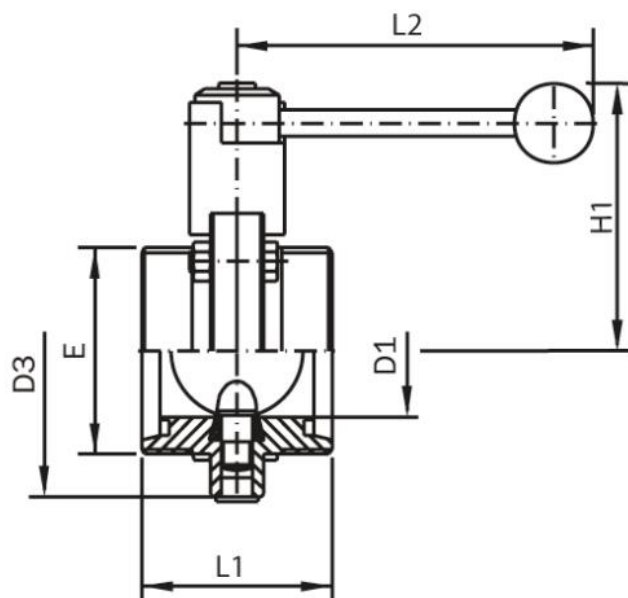


# PILLANGÓSZELEP K/K DIN



DN DIN	L1	L2	H1	D1	D3	E	[kg]
10	78	105	79	10	58	Rd 28 x 1/8"	0.8
15	78	105	79	16	58	Rd 34 x 1/8"	0.8
20	78	105	79	20	58	Rd 44 x 1/6"	0.8
25	64	107	90	26	87	Rd 52 x 1/6"	1.7
32	64	107	92	32	92	Rd 58 x 1/6"	1.8
40	72	137	94	38	97	Rd 65 x 1/6"	2.0
50	72	137	101	50	110	Rd 78 x 1/6"	2.4
65	76	137	110	66	127	Rd 95 x 1/6"	3.1
80	100	167	123	81	142	Rd 110 x 1/4"	5.2
100	104	167	134	100	162	Rd 130 x 1/4"	6.5
125	112	248	168	125	200	Rd 160 x 1/4"	10.2
150	124	248	183	150	230	Rd 190 x 1/4"	13.9